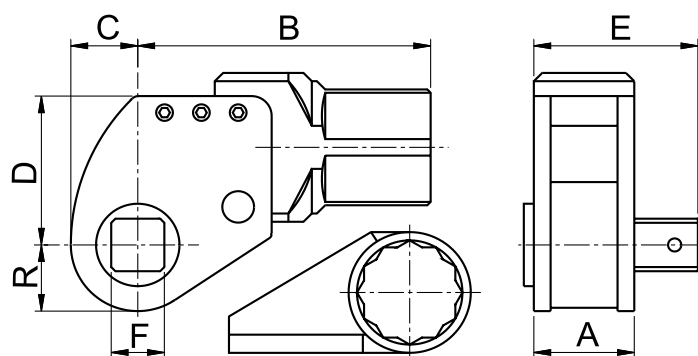


TORQUE WRENCHES



■ Max. Torque **1360 - 108800 Nm**
■ Square Insert **3/4" - 3 1/2"**

SELECTION CHART: STEEL WRENCH WITH SQUARE INSERT FOR BUSHINGS

Max. Torque	F	MODEL	Dimensions mm						Weight
			A	B	C	D	E	R	
Nm	inch								kg
1360	3/4" - 1"	UWB1	42	115	28	65	70	24	4
2040		UWB2	50	140	30	65	90	25	6
4488	1"	UWB4	52	175	40	90	92	35	8
7888	1 1/2"	UWB8	65	180	45	95	120	37	13
10060		UWB10	65	207	58	112	120	45	16
14960		UWB15	83	222	66	130	138	45	22
20400	2 1/2"	UWB20	95	230	70	140	172	52	31
28560		UWB28	97	265	74	157	175	62	44
43520		UWB41	115	290	80	175	185	69	54
68000	2 1/2" - 3 1/2"	UWB68	145	320	90	200	230	85	103
108800		UWB109	172	416	100	258	272	100	178

HYDRAULIC TOOLS

SELECTION CHART: LIGHT ALLOY WRENCHES WITH SQUARE INSERT FOR BUSHINGS

Max. Torque	F	MODEL	Dimensions mm						Weight
			A	B	C	D	E	R	
Nm	inch								kg
2040	1"	UWBL2	50	145	50	70	80	30	3
4500		UWBL4	65	181	48	103	95	37	5
9500	1 1/2"	UWBL10	90	200	68	107	130	50	9
15000		UWBL15	102	221	72	118	147	52	13
34000	2 1/2"	UWBL34	120	300	90	165	185	70	28