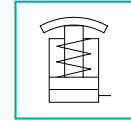
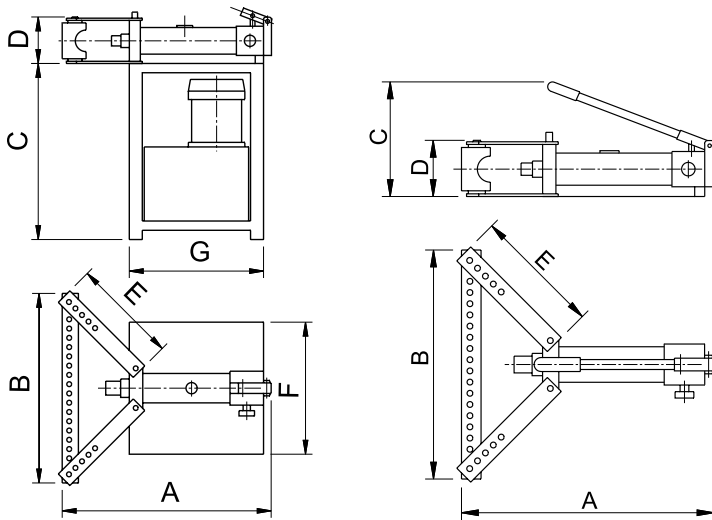


## PIPE BENDERS



Capacity **3/8" - 4"**

Pipe benders may be supplied upon request for pipe sizes up to 6" NB or for special applications.



### FEATURES

They are available in two versions:

- **UB#** - with **hand pump** and former sets for use on Nominal Bore Tubes from 3/8" to 4"
- **UB#M** - with **motor-driven** pump complete with former set from 3/8" to 4"

If necessary this particularly silent and fast version can also be manually operated.

### APPLICATIONS

UB pipe benders are suitable for cold-bending without filling from 3/8" to 4" sized nominal bore tubes to obtain one shot right and left bends up to 90°.

### SELECTION CHART

MODEL	Type of Operation	Former Dimensions											Dimensions mm							Weight kg
		3/8"	1/2"	3/4"	1"	1"1/4	1"1/2	2"	2"1/2	3"	3"1/2	4"	A	B	C	D	E	F	G	
UB2	Hand Pump	•	•	•	•	•	•	•					710	645	460	160	375	-	-	75
UB3		•	•	•	•	•	•	•	•	•			810	980	550	215	540	-	-	135
UB4		•	•	•	•	•	•	•	•	•	•	•	870	1016	730	250	590	-	-	180
UB4M	Electric	•	•	•	•	•	•	•	•	•	•	870	1016	765	250	590	575	585	300	