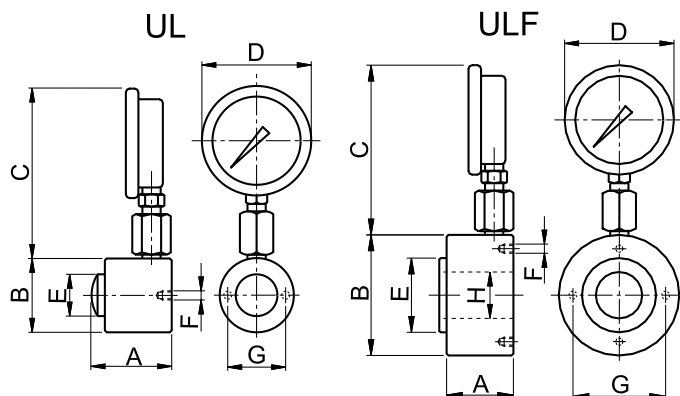


# LOAD CELLS



Force **5500 - 23000 kg**



## FEATURES

UL series load cells have been fully nitrided to give them a high corrosion resistance. They are available in two versions:

- **UL - with solid rod**  
Fitted with a spherical push saddle for off centre load alignment
- **ULF - with hollow rod**  
To insert threaded rods or tie bars

All models are supplied with pressure gauges marked in kg and with a maximum indicating pointer to measure the maximum load. Degree of accuracy:  $\pm 2.5\%$ .

## APPLICATIONS

They are used in many sectors and whenever or wherever it is necessary to measure forces and loads. Because of the nitride treatment they are suitable for outdoor operation or in very aggressive environments.



## OPTION

**F Version** Load Cell complete with 1m flexible hose.

## SELECTION CHART

Capacity kg	MODEL	Dimensions mm								Weight kg
		A	B	C	D	E	F	G	H	
5500	UL05	85	80	217	118	45	2 x M6	65	-	3,7
11000	UL10					65	2 x M8	90	-	
23000	UL23	93	105			80	4 x M8	100	50	6,5
15000	ULF15	80	130			7,0				

## MODEL CODE

UL	-	05	#
Load Cell	- with solid rod F with hollow rod	Capacity in tonnes	F with 1m flexible tube