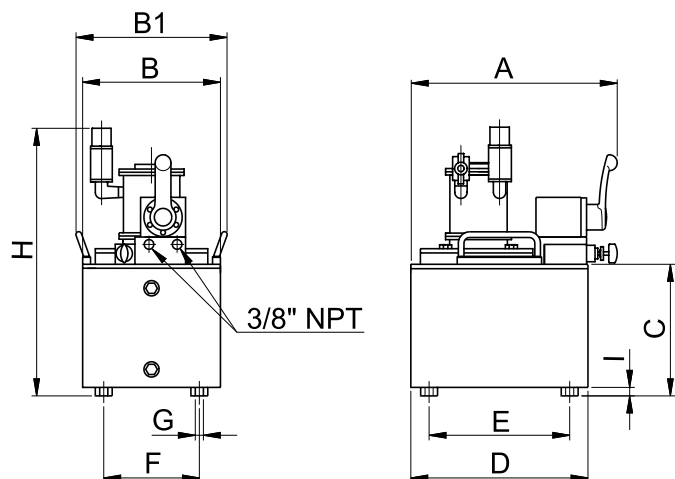


MODULAR POWER PACKS WITH AIR MOTOR 700 BAR



- Reservoir capacity 5 - 40 l
- Delivery at 700 bar 0,9 l/min
- Power rating 2,6 kW
- Max pressure 700 bar
- Consumption 3400 l/min

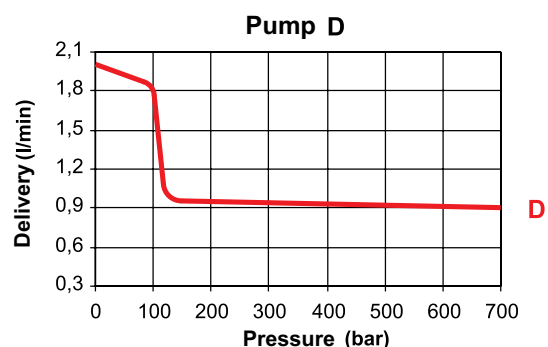
DIMENSIONS

Reservoir capacity	Usable oil volume	Dimensions mm									
		litres	litres	A	B	B1	C	D	E	F	G
5	3,8	370	245	270	129	315	250	170	M8	390	10
10 high	8,8				227					488	
10 low	7,7	447	360	378	129	410	320	270	Ø9	390	
20	17,7				257					518	40
40	35,8	462	600	-	257	440	350	510			

OPERATING CHARACTERISTICS

MODEL	Oil delivery		Pressure		Motor	
	1 st Stage	2 st Stage	1 st Stage	2 st Stage	Power	Speed
	l/min	l/min	bar	bar	kW	rpm
MPD	1,8	0,9	100	700	2,6	3000
MPE	9,4		85			

DELIVERY DIAGRAM



DELIVERY DIAGRAM

