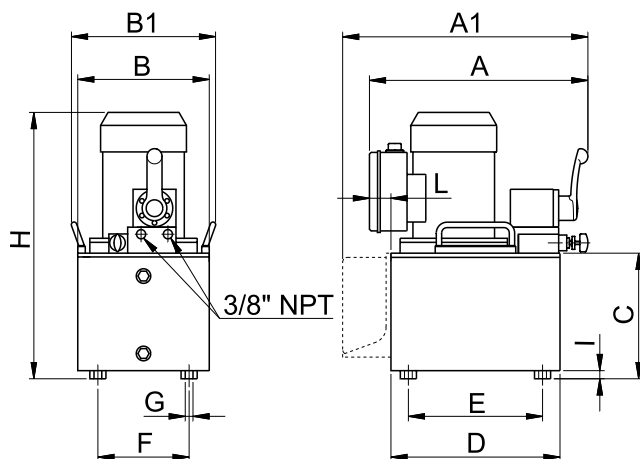


MODULAR POWER PACKS WITH 3-PHASE ELECTRIC MOTOR

700 BAR



- Reservoir Capacity **5 - 50 l**
- Delivery at 700 bar **0,45 - 2,5 l/min**
- Power rating **0,75 - 3 kW**
- Max pressure **700 bar**

DIMENSIONS

| Reservoir capacity | Usable oil volume | Dimensions mm | | | | | | | | | | | | | | | |
|--------------------|-------------------|---------------|--------|-----|-----------------|-----|-----|-----|-----|----|------------------|----|----|-----|-----|-----|-----|
| | | litres | litres | A | A1 ^② | B | B1 | C | D | E | F | G | H | I | L | | |
| 5 | 3,8 | 370 | 470 | 245 | 270 | 129 | 315 | 250 | 170 | M8 | 390 ^① | 10 | 40 | | | | |
| 10 high | 8,8 | | | | | 227 | | | | | 488 ^① | | | | | | |
| 10 low | 7,7 | 447 | - | 360 | 378 | 129 | 410 | 320 | 270 | - | 390 ^① | - | - | | | | |
| 20 | 17,7 | 462 | | | | 600 | | | | | 257 | | | 440 | 350 | 510 | |
| MEK 30 | 22 | 447 | - | 360 | - | 343 | 410 | 320 | 270 | ∅9 | 640 | 40 | - | | | | |
| MEV 30 | 20 | 462 | | | | 600 | | | | | 307 | | | 440 | 350 | 510 | 634 |
| MEV 50 | 32 | 462 | | | | 600 | | | | | 307 | | | 440 | 350 | 510 | 634 |

- ① Add 16 mm for models MEC, MEH; add 40 mm for models MEL, MEF, MEG, and MET.
- ② For power packs with 5 l and 10 l high tanks with remote control model R or F only.



MEK power packs are particularly indicated for intensive use or when a very noiseless product is required.

Operating characteristics

| MODEL | Oil delivery | | Pressure | | Motor | | |
|-------|-----------------------|-----------------------|-----------------------|-----------------------|---|-------|-------|
| | 1 st Stage | 2 nd Stage | 1 st Stage | 2 nd Stage | Voltage | Power | Speed |
| | l/min | l/min | bar | bar | | kW | rpm |
| MEA | 0,9 | 0,45 | 100 | 700 | 400V-50Hz (Motors with different voltage upon request) | 0,75 | 1400 |
| MEB | 4,7 | | 85 | | | | |
| MEC | - | 0,9 | - | | | 1,1 | 2800 |
| MED | 1,8 | | 100 | | | | |
| MEH | 2,4 | | 85 | | | | |
| MEE | 9,4 | 1,6 | - | | | 2,2 | 1400 |
| MEL | - | | 70 | | | | |
| MEK | 11,6 | 1,8 | - | | | 3 | 2800 |
| MEF | - | | 85 | | | | |
| MEG | 4,7 | 2,5 | - | | | - | - |
| MET | 10 | | 85 | | | | |
| MEV | - | - | - | - | - | | |

MODULAR POWER PACKS WITH 3-PHASE ELECTRIC MOTOR 700 BAR

