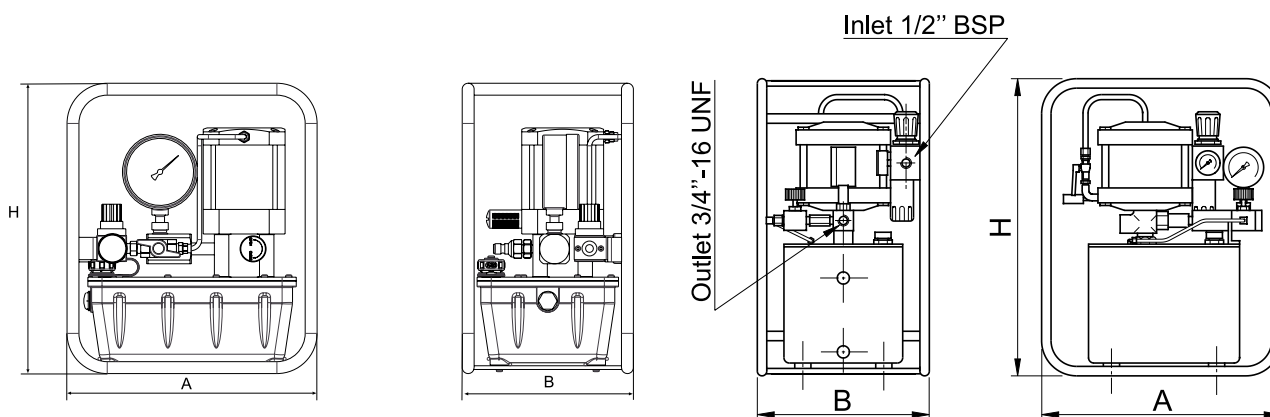


AIR-HYDRAULIC PUMPS AT 1500 AND 2100 BAR

HYDRAULIC PUMPS



MLP2#VAG

MLP23KAG

CHARACTERISTIC AND DIMENSIONS

Valve	Tank litres	Usable volume litres	MODEL	Dimensions mm					Weight kg
				A	B	D	E	H	
3/2 valve manual control	2,4	1,9	MLP21VAG	340	230	-	-	390	15
	5	4	MLP22VAG	495	325	-	-	500	25,7
	10	8	MLP23VAG	580	440	-	-	500	34,3

CHARACTERISTIC AND DIMENSIONS

Valve	Tank litres	Usable volume litres	MODEL	Dimensions mm			Weight kg
				A	B	H	
3/2 valve manual control	10	8	MLP23KAG	495	325	580	30