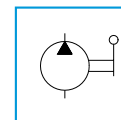


STEEL HAND PUMPS WITH LARGE OIL DELIVERY AND LIGHTWEIGHT ALLOY RESERVOIR 700 BAR



- Reservoir Capacity **10 l**
- Oil Delivery per stroke **4,8 cm³** in HP
- Max Pressure **700 bar**

FEATURES

Two-stage hand pumps with a valve that allows automatic change from 1st to 2nd stage. It requires only a moderate effort on the handle to reach the maximum working pressure.

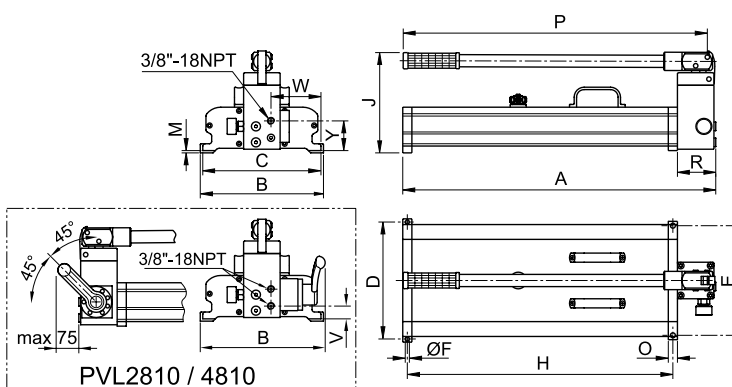
All models are equipped with:

- Relief valve
- Carrying handle
- Light alloy reservoir (it helps reduce considerably pump weight)
- 1/2" BSP connection for pressure gauge

Available with 3-way, 4-way, and 4-way with controlled check valves.

OPERATIONAL AREAS

These pumps have a bigger flow and capacity compared to the PL hand pumps but they are also a very good alternative to the PV hand pumps when weight is a significant factor of choice.



SELECTION CHART

Pressure 1 st stage bar	Pressure 2 nd stage bar	Oil Delivery 1 st stage cm ³	Oil Delivery 2 nd stage cm ³	Handle Effort N	To be used with	Reservoir Capacity Litres	Usable Oil volume Litres	MODEL	Dimensions mm											Weight without oil kg	Weight with oil kg				
									A	B	C	D	E	F	H	J	M	O	P			R	V	W	Y
20	700	125	4,8	420	Single acting cylinders	9,5	8,3	PVL1810	270													15,7	24		
					Double acting cylinders			PVL2810	790	274	259	256	240	9	686	223	5	20	770	84	28	110	65	16,2	24,5
					Double acting cylinders with controlled check valve			PVL4810		306															

ACCESSOIRES: MANOMETER ADAPTERS



ACCESSOIRES

■ **ZPS12** Gauge adapter (for gauge **G10**) with screw connection.

■ **ZPF121** Gauge adapter (for gauge **G10**) with plate connection.

MODEL	For pumps	a	b	c	d	e	kg
ZPS12 (screw connection)	PVL1810 PVL2810 PVL4810	50	30	48	3/8" NPT	1/2" BSP	0,25
ZPF121 (plate connection)	PVL2810 PVL4810	83	30	70	-	1/2" BSP	0,37